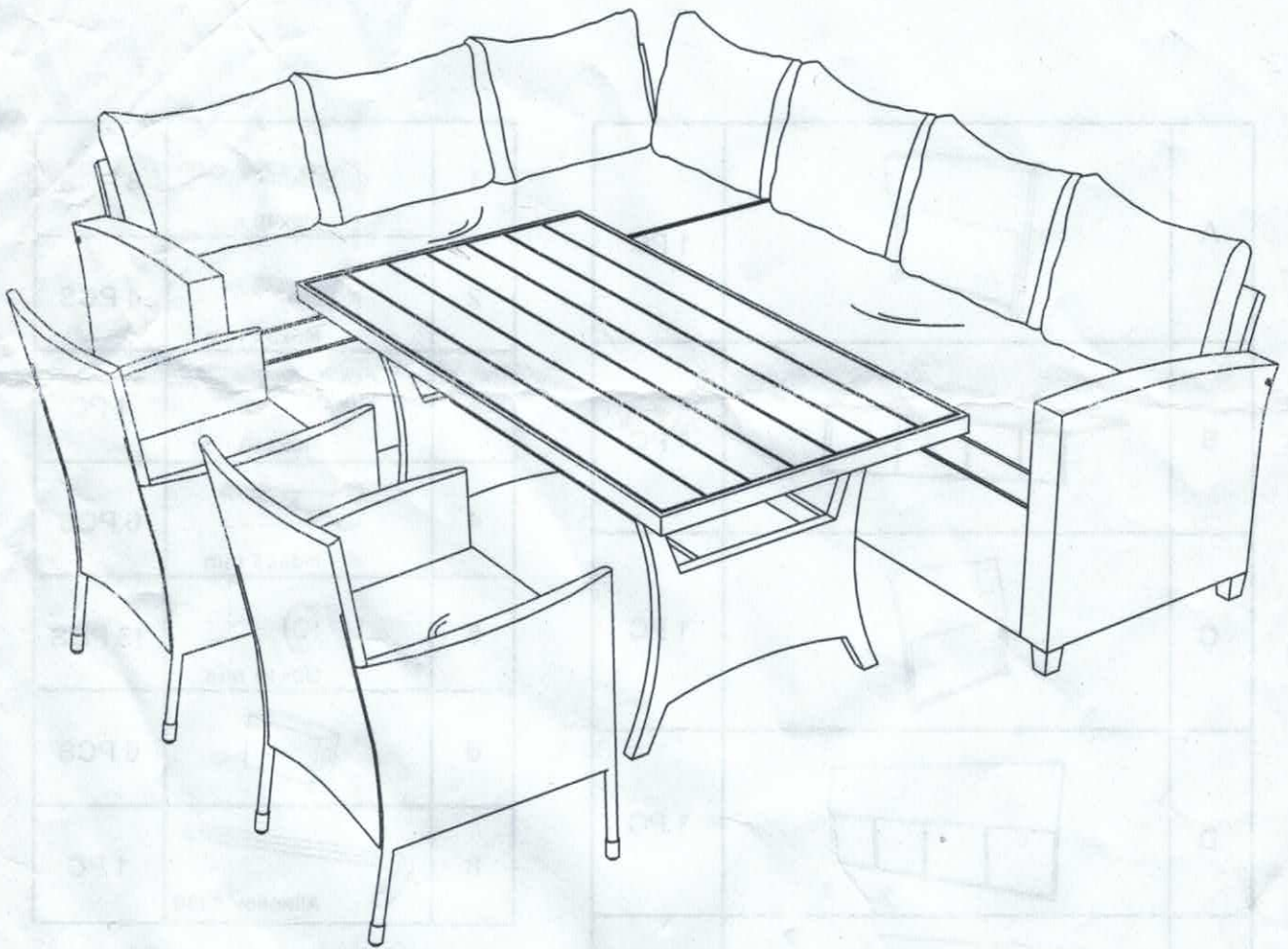
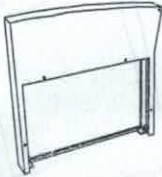
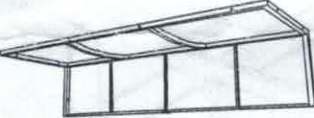

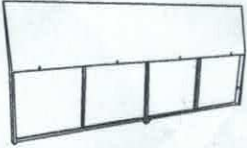







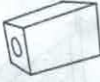



ASSEMBLY INSTRUCTION

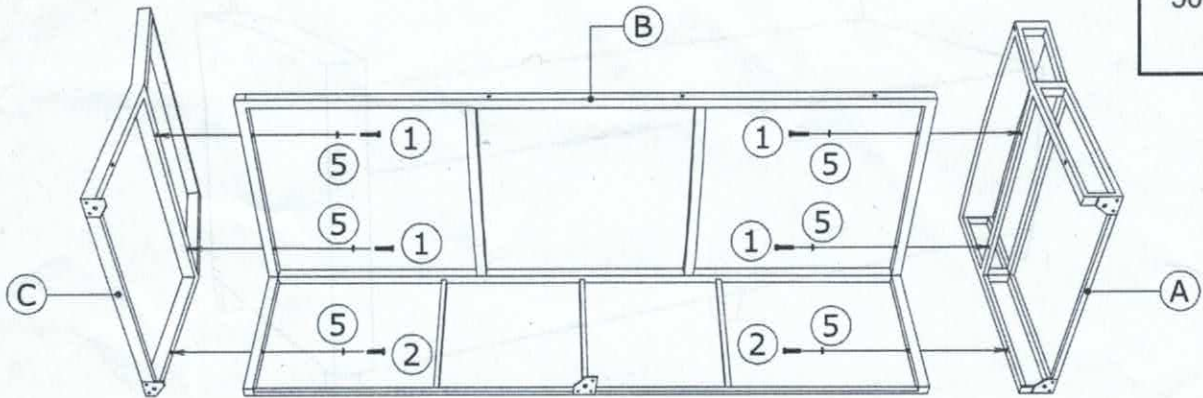




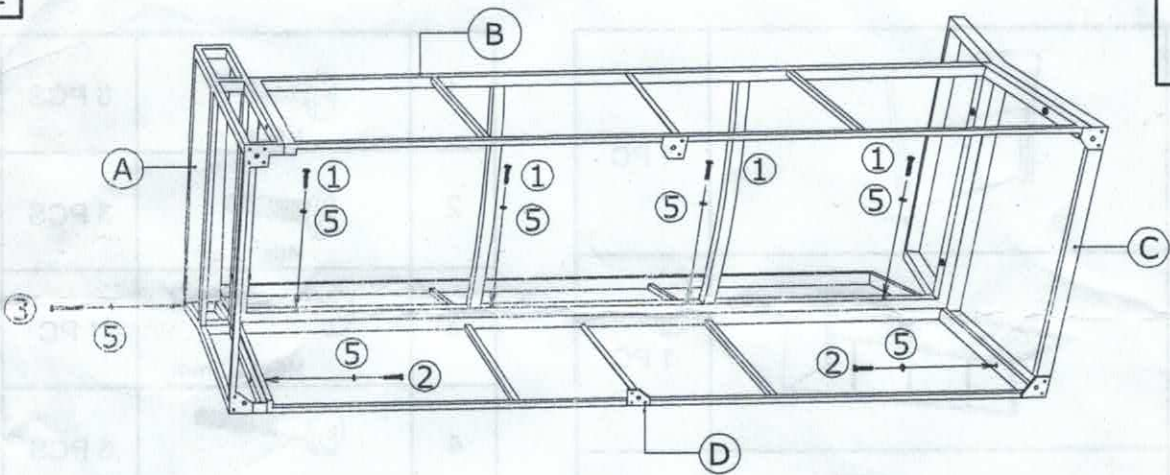
A		1 PC
B		1 PC
C		1 PC
D		1 PC
E		1 PC
F		4 PCS

1	 M6x40 mm	8 PCS
2	 M6x35 mm	4 PCS
3	 M6x110 mm	1 PC
4	 M6x55 mm	6 PCS
5	 Ø6x14 mm	13 PCS
6		6 PCS
8	 Allenkey 4x60	1 PC

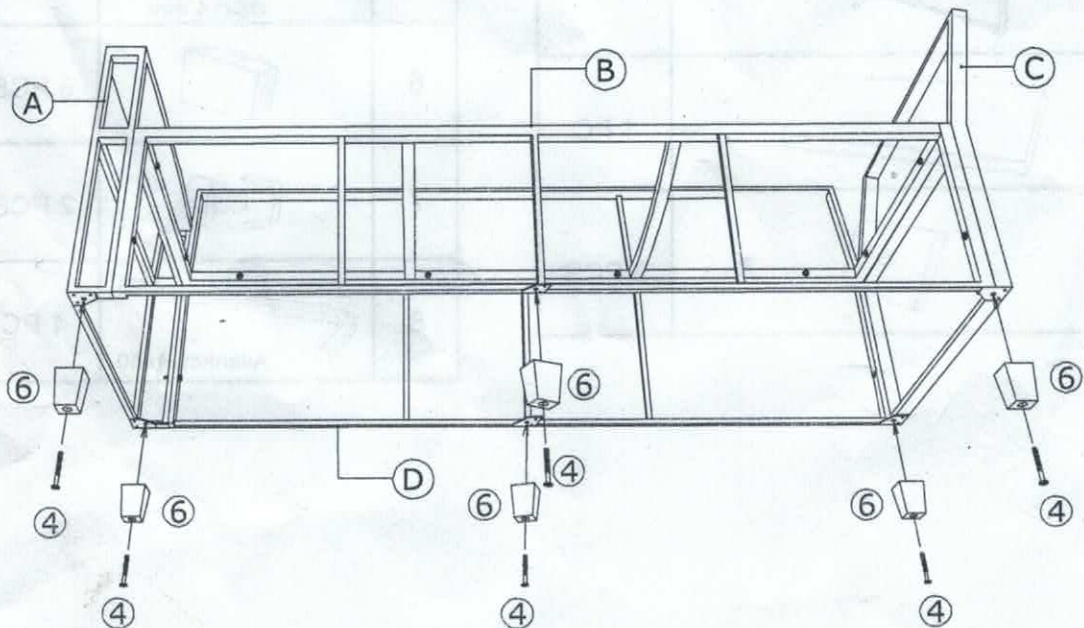
1

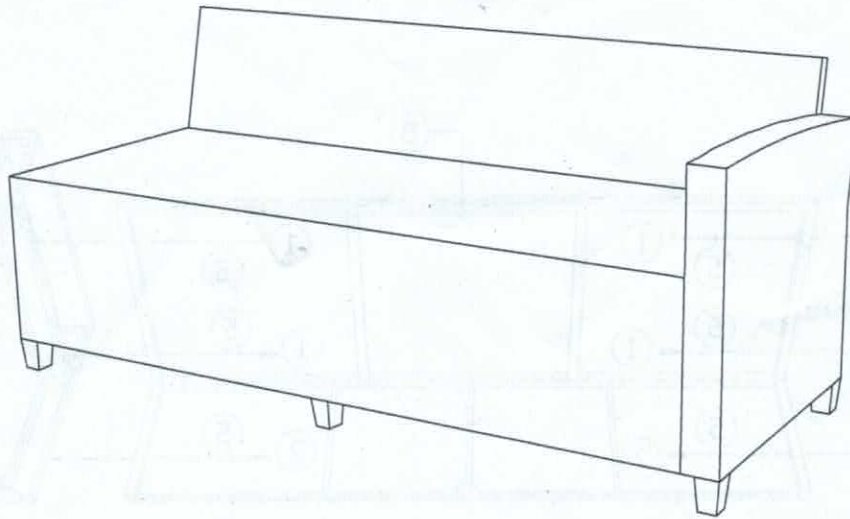



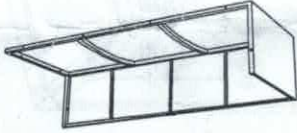
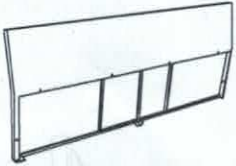
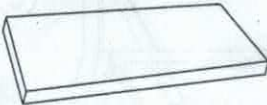

2






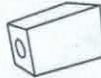




3

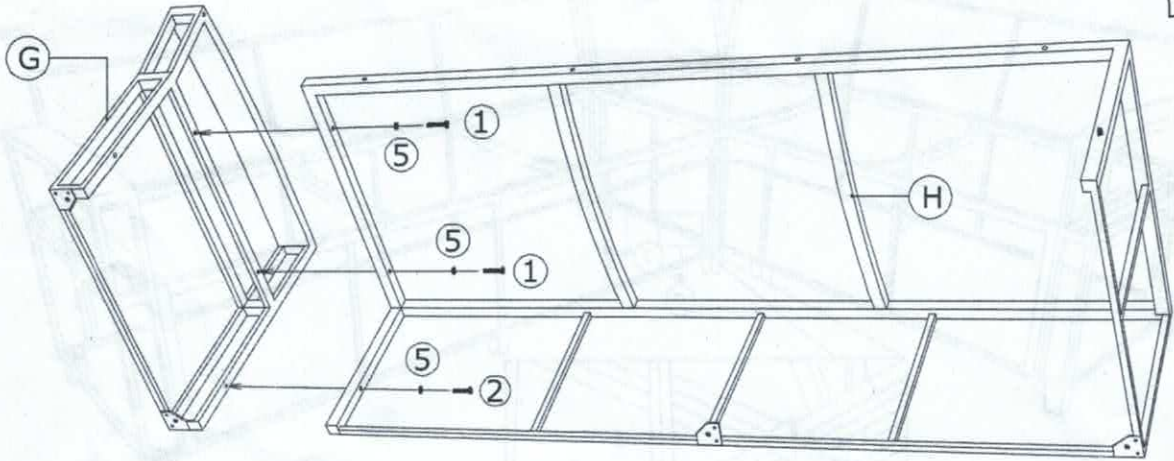




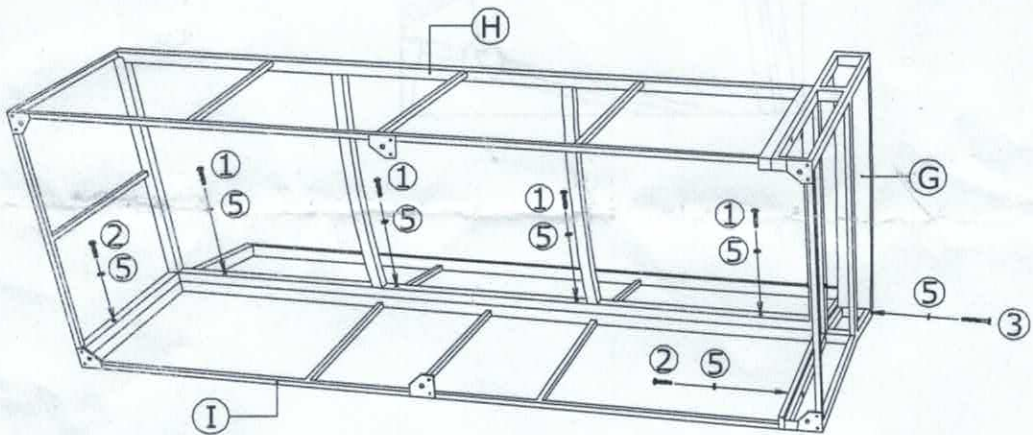
G		1 PC
H		1 PC
I		1 PC
E		1 PC
F		3 PCS

1	 M6x40 mm	6 PCS
2	 M6x35 mm	3 PCS
3	 M6x110 mm	1 PC
4	 M6x55 mm	6 PCS
5	 Ø6x14 mm	10 PCS
6		6 PCS
7		2 PCS
8	 Allenkey 4x60	1 PC

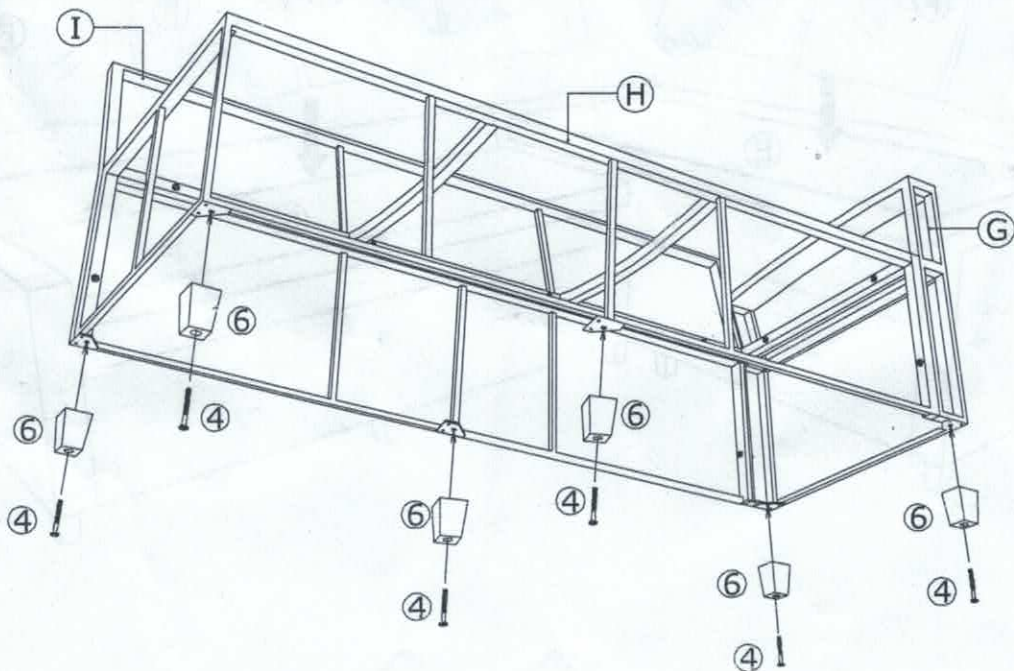
1



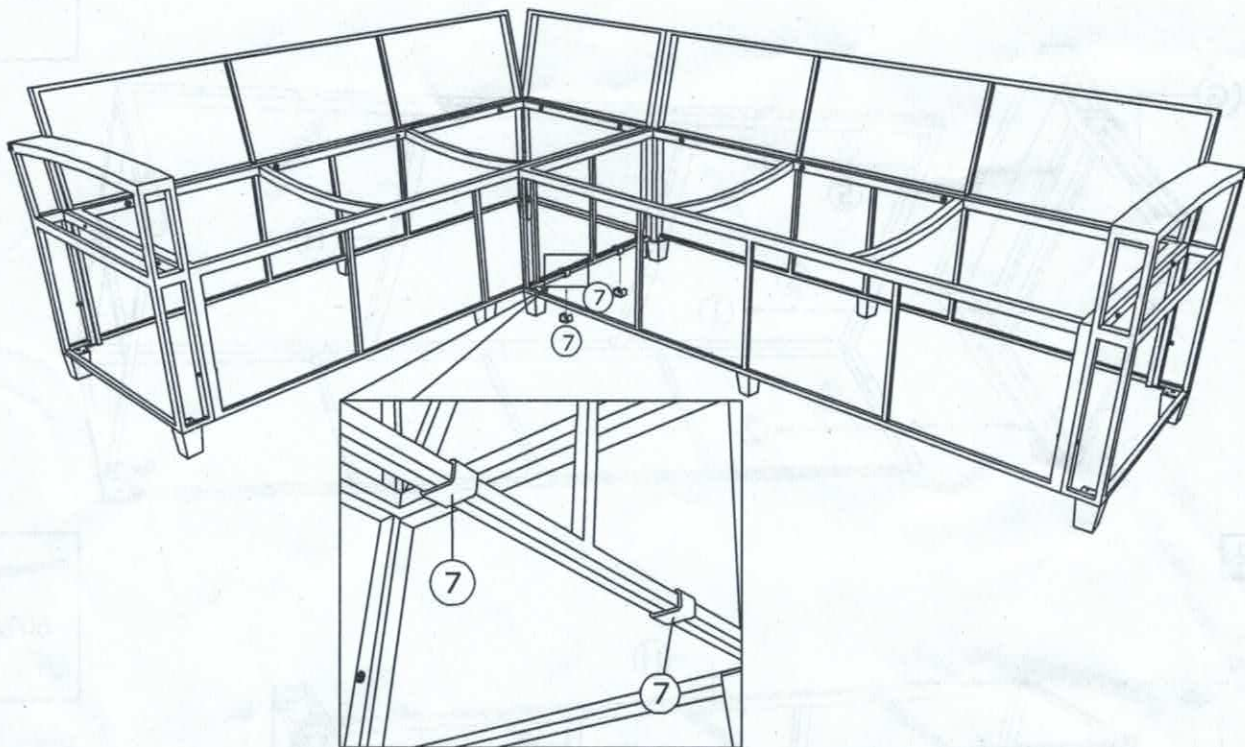
2



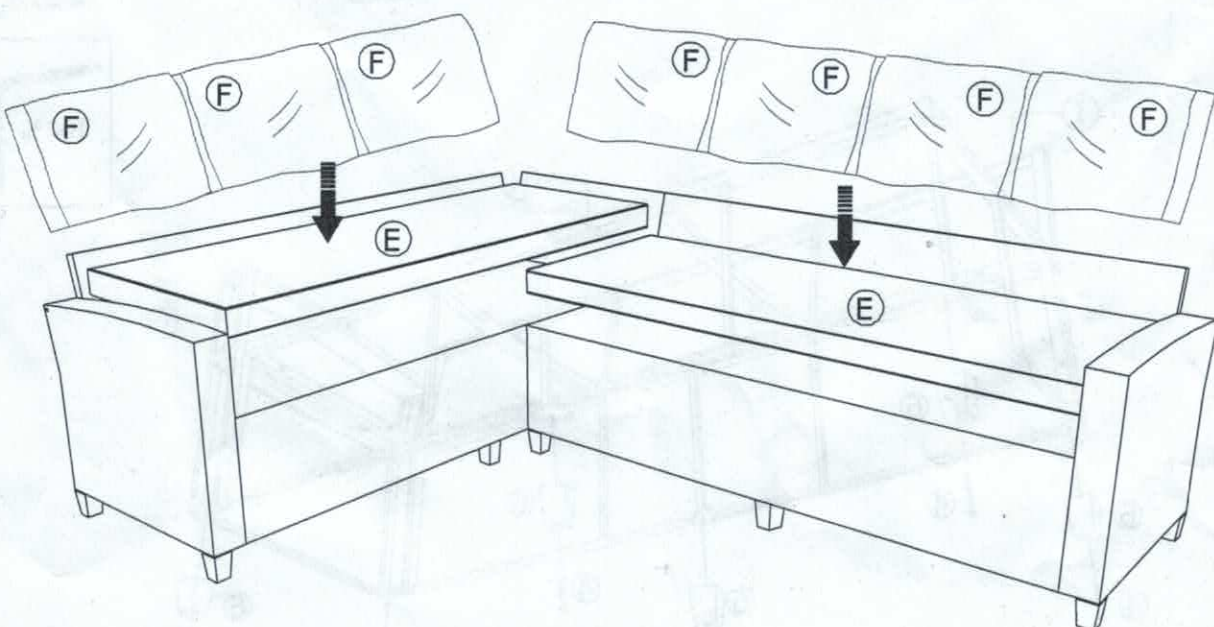
3




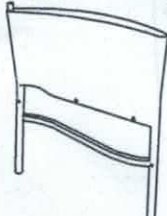
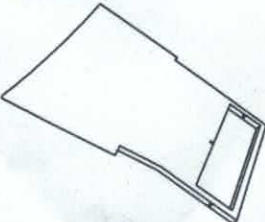
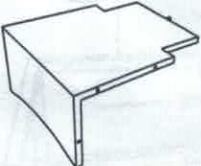

4



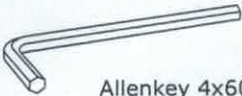


5

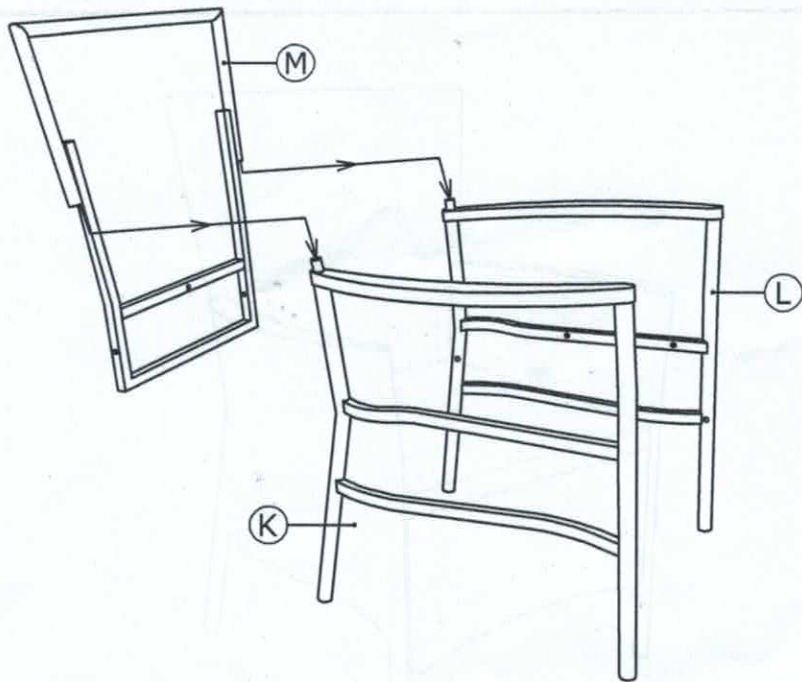




K		1 PC x 2
L		1 PC x 2
M		1 PC x 2
N		1 PC x 2
O		1 PC x 2

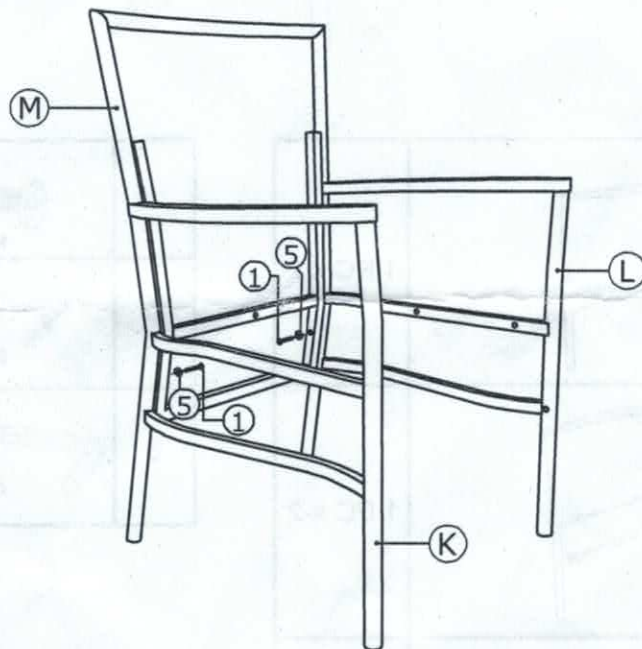
1	 M6x40 mm	8 PCS x 2
5	 Ø6x14 mm	8 PCS x 2
8	 Allenkey 4x60	1 PC

1



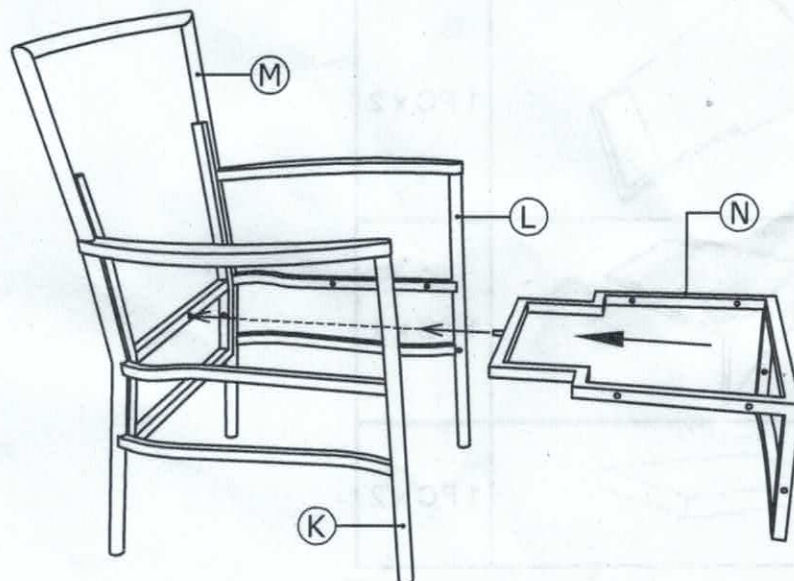
x2

2



x2

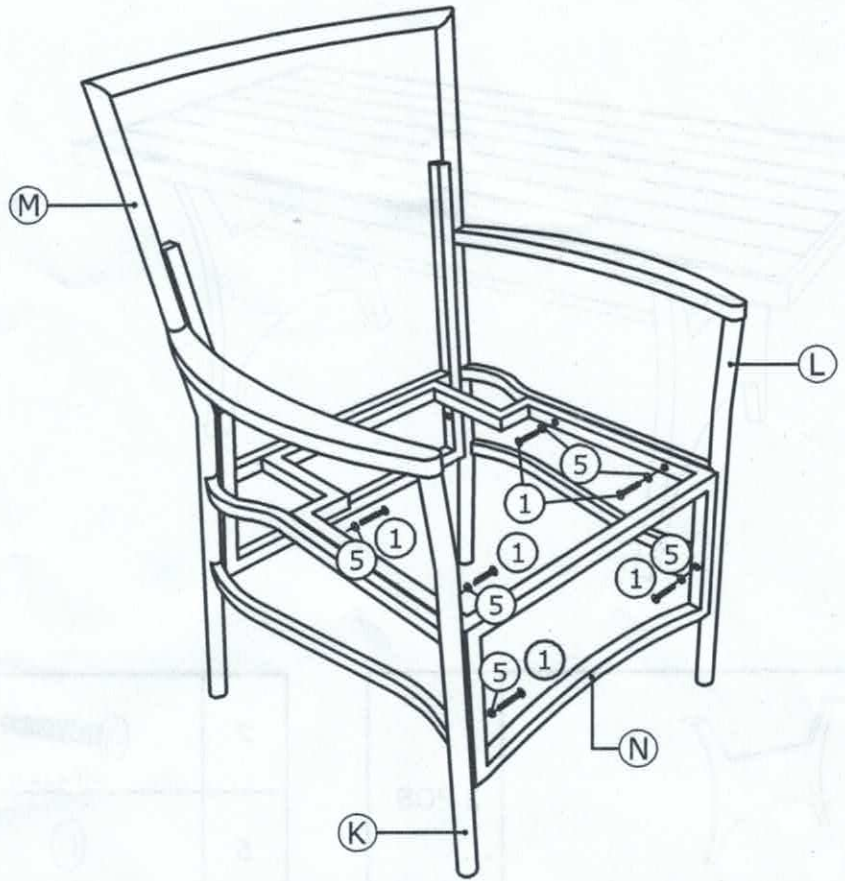
3



x2

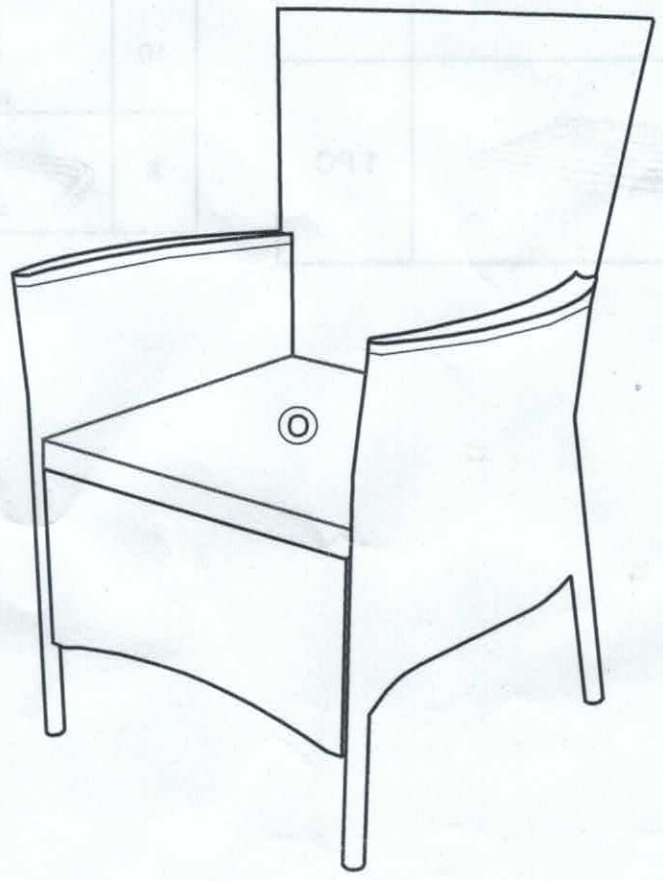
4

x2










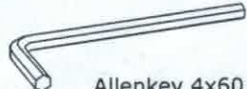
5

x2

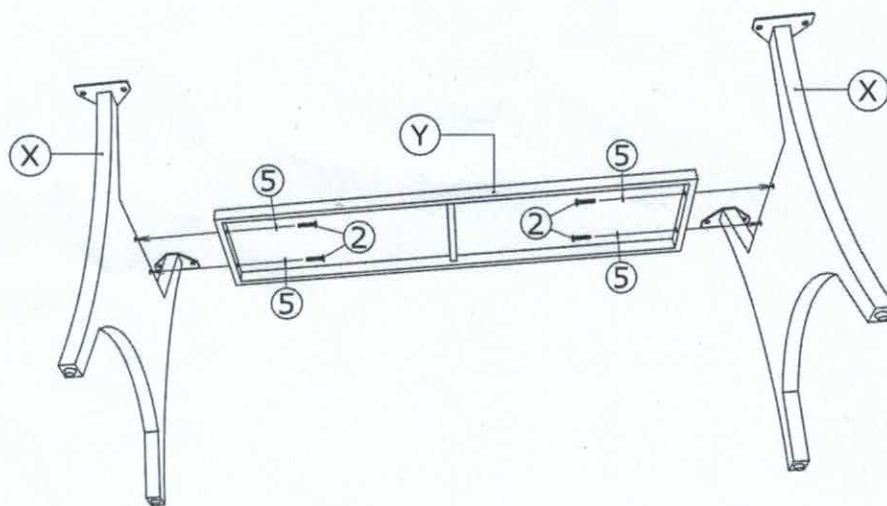




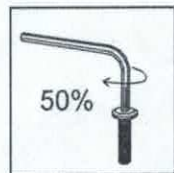
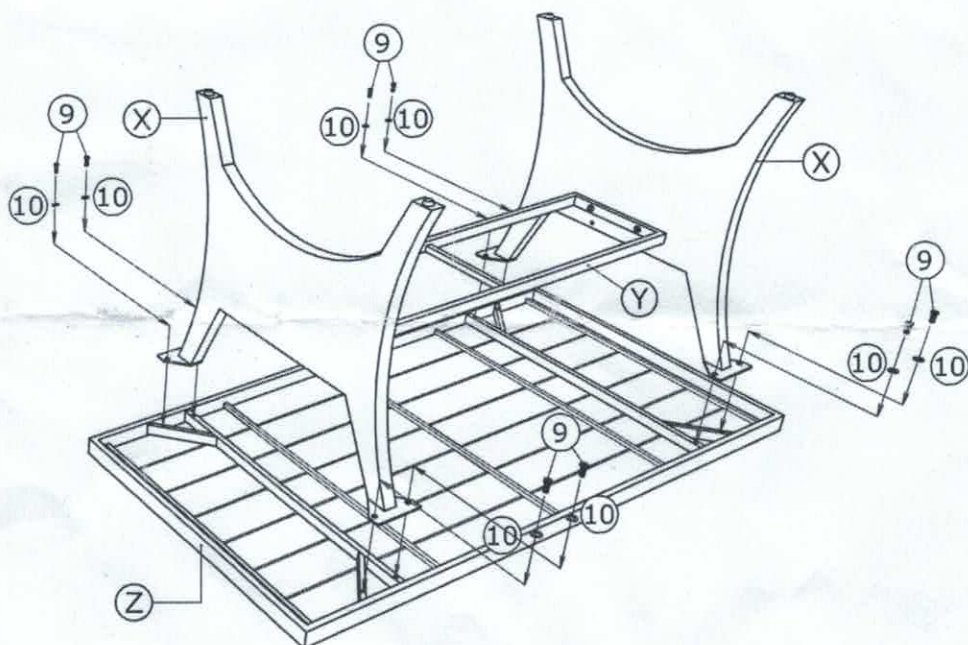
X		2 PCS
Y		1 PC
Z		1 PC

2	 M6x35 mm	4 PCS
5	 Ø6x14 mm	4 PCS
9	 M8x20 mm	8 PCS
10	 Ø8x16 mm	8 PCS
8	 Allenkey 4x60	1 PC

1



2



3

